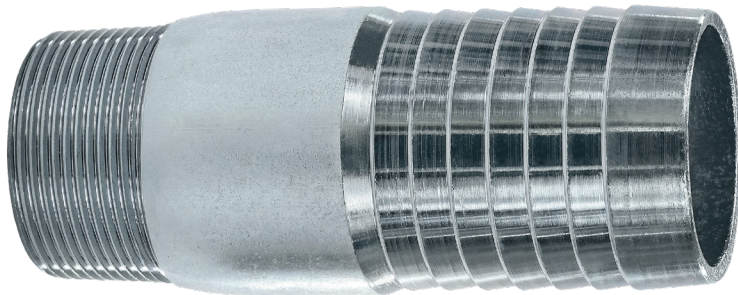
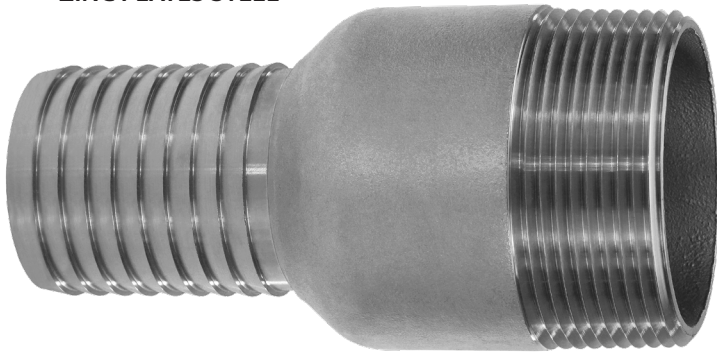




STEEL



ZINC PLATED STEEL



304 SS

COMBINATION NIPPLES

MALE NPT - REDUCING / INCREASING
STEEL, ZINC PLATED & SS 304

FEATURES & APPLICATIONS:

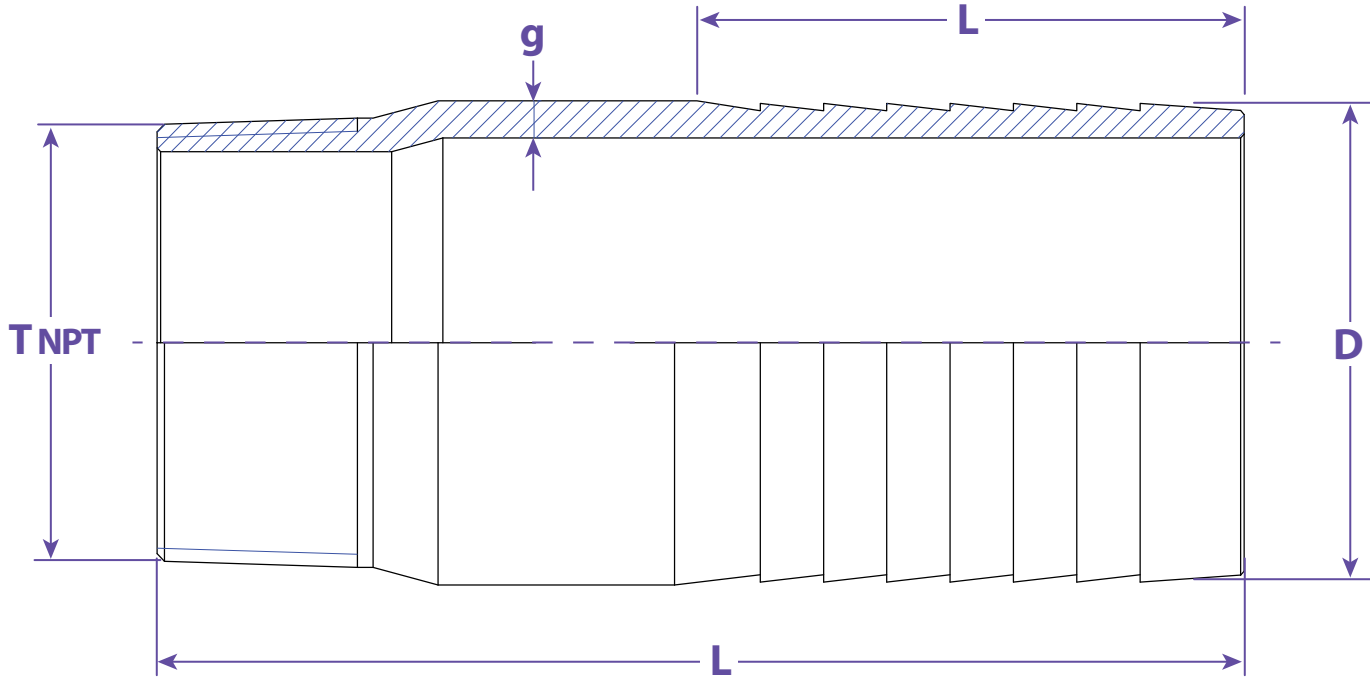
- Low pressure fluid transfer, suction and discharge. Working pressures may vary with hose type and clamping system used to install couplings.
- Combination Nipples are recommended for low pressure discharge and suction service for compatible liquids. NOT for compressible products such as Air, Nitrogen and Steam.

STEEL, ZINC PLATED & STAINLESS 304

SIZE	STEEL #	ZINC PLATED #	304 SS #
3/4" x 1/2"	SF075050S	SF075050SP	SF075050SS
3/4" x 1"	SF075100S	SF075100SP	SF075100SS
1" x 3/4"	SF100075S	SF100075SP	SF100075SS
1" x 1-1/4"	SF100125S	SF100125SP	SF100125SS
1-1/4" x 1"	SF125100S	SF125100SP	SF125100SS
1-1/4" x 1-1/2"	SF125150S	SF125150SP	SF125150SS
1-1/2" x 1"	SF150100S	SF150100SP	SF150100SS
1-1/2" x 1-1/4"	SF150125S	SF150125SP	SF150125SS
1-1/2" x 2"	SF150200S	SF150200SP	SF150200SS
2" x 1-1/2"	SF200150S	SF200150SP	SF200150SS
2" x 2-1/2"	SF200250S	SF200250SP	SF200250SS
2" x 3"	SF200300S	SF200300SP	SF200300SS
2-1/2" x 2"	SF250200S	SF250200SP	SF250200SS
3" x 2"	SF300200S	SF300200SP	SF300200SS



Information contained on this page is for general information purposes only. Seal Fast Inc. assumes no responsibility for errors or omissions for this product.



Dimensions					
D & T	L	Ls	g	T	Part #
3/4" x 1/2"	3.0118	1.5748	0.0906	1/2"	SF075050x
3/4" x 1"	---	---	---	---	SF075100x
1" x 3/4"	3.0118	1.6142	0.0906	3/4"	SF100075x
1" x 1-1/4"	---	---	---	---	SF100125x
1-1/4" x 1"	3.6614	1.8504	0.1260	1"	SF125100x
1-1/4" x 1-1/2"	---	---	---	---	SF125150x
1-1/2" x 1"	4.0551	2.1260	0.1260	1"	SF150100x
1-1/2" x 1-1/4"	4.0551	2.1260	0.1260	1-1/4"	SF150125x
1-1/2" x 2"	---	---	---	---	SF150200x
2" x 1-1/2"	5.000	2.4803	0.1260	1-1/2"	SF200150x
2" x 2-1/2"	---	---	---	---	SF200250x
2" x 3"	---	---	---	---	SF200300x
2-1/2" x 2"	5.7480	2.9528	0.1575	2"	SF250200x
3" x 2"	5.7480	3.3858	0.1575	2"	SF300200x

TITLE COMBINATION NIPPLES - HOSE X MALE NPT STEEL

DISCLAIMER

All drawings and specifications are subject to change without notice. Drawings represent general dimensions of our products. Seal Fast cannot guarantee the dimensions of the part will exactly match those in the drawing. This drawing is the property of Seal Fast Inc. Copying or reproduction of this drawing is expressly prohibited.

MATERIAL

SFxxxS Carbon Steel Tube
SFxxxSP Zinc Plated Steel
SFxxxSS Stainless Steel Tube 304

DRAWING NOT TO SCALE

PART # SF...S, SP, SS